

## The compact version for deposit systems.

### Characteristics

- All advantages of 5347 but in a smaller casing
- Theoretical number of codes
  - Bank mechanism: 1,296
- Theoretical number of codes
  - Client mechanism: 279,936

### Composition of lock

- Lock: right-hand
- Lock case: steel, galvanised
- 4 fixing points
- Bolt: deadbolt, die-cast zinc
- Bolt hub: 10 mm
- Lock cover: screwed
- Overlying mechanisms: bank and client mechanism in one-hole look
- Bank levers: 4
- Client levers: 7

### Operating principle

- Dual-key principle: first, opening of the bank mechanism required, then opening of the client mechanism possible
  - Bank key removable with opened lock
  - Client key not removable with opened lock
- After locking the client's mechanism, the bank mechanism is automatically locked too

### Application range

- Deposit systems



Lock 5367-01-0-0-Z062-2

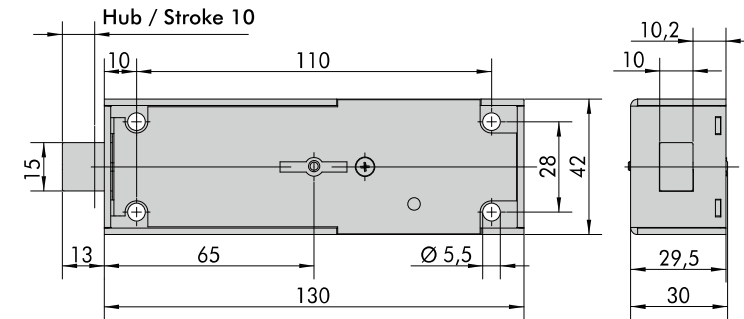
Size comparison



5347



5367



### Basic lock 5367

Article number	Material	Length (mm)	Number	Stamping
5367-01-0-0-Z062-2	Die-cast zinc	62	2	-
5367-02-0-0-Z062-2	Die-cast zinc	62	2	Deposit number

### Bank key

Article number	Material	Length (mm)	Number
SB-S065-10	Steel	65	1

### Accessories

Article number	
ZS-Z062-00	Client lever pack: with 2 keys, without deposit number, die-cast zinc, 62 mm