

Mechanical precision for the VdS Class 2.

Characteristics

- 4 times higher security than VdS class 1 locks
- Protected against scanning and knocking off
- Theoretical number of codes: 282,475,249

Composition of lock

- Lock: right-hand
- Lock case: steel, galvanised
- Bolt: deadbolt with threaded holes 2 x M4, steel, galvanised
- Bolt hub: 12 mm
- Lock cover, riveted: steel, galvanised
- Levers: 11
- Fixing points: standard

Certification

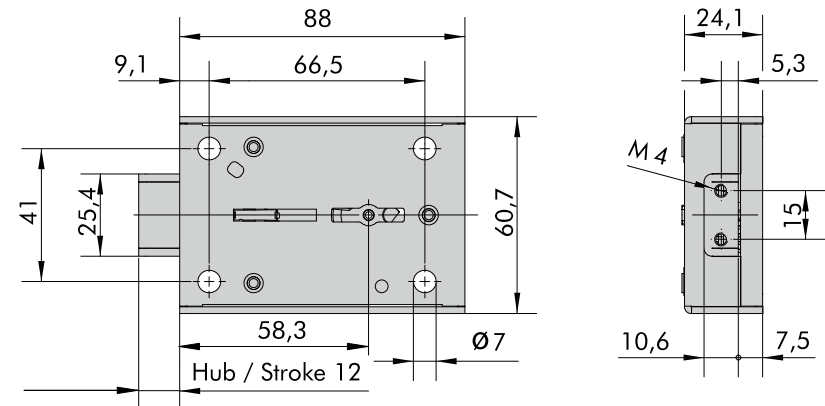
- EN 1300 B
- VdS Class 2
- A2P Niveau B (E)
- IMP Class B
- SBSC
- ECB•S

Application range

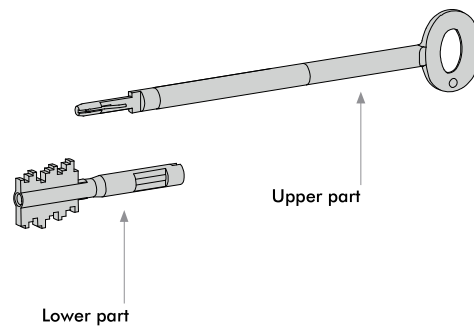
- Safes according to EN 1143-1 Grade III to V
- Examples
 - Armored cabinets (Grade III to V)
 - Cash machines, recycler (Grade III to V)
 - Vault doors (Grade III to V)



Lock 1821-01-0-N096-2



Detachable key



Basic lock 1821

Article number	Key Material	Length (mm)	Number
1821-01-0-Z135-2	Die-cast zinc	135	2
1821-01-0-Z135-4	Die-cast zinc	135	4
1821-01-0-Z170-2	Die-cast zinc	170	2
1821-01-0-N096-2	Nickel silver	96	2
1821-01-0-N150-2	Nickel silver	150	2

Detachable key lower part incl. lock

Article number	Material	Length (mm)	Number
1821-01-0-N060-2	Nickel silver	60	2

Detachable key upper part

Article number	Material	Length (mm)	Number	Detachable key Total length (mm)
SE-S170-00	Steel	170	1	230
SE-S260-00	Steel	260	1	320