

## The best solution for many compartments.

### Characteristics

- Great flexibility within master key installations by combination possibility with H1609
- High-quality, robust user key
- Theoretical number of codes: 5,764,801

### Composition of lock

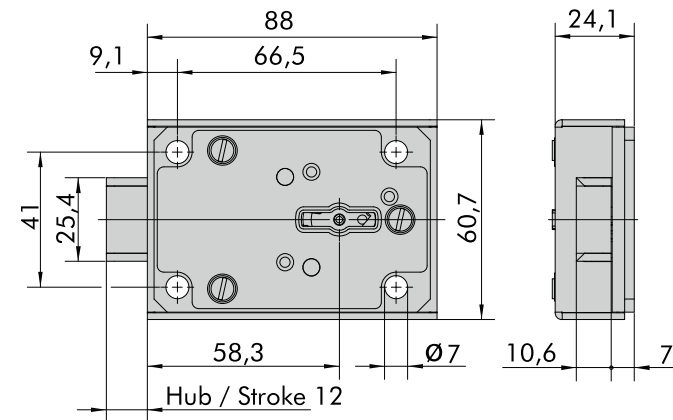
- Lock: right-hand
- Lock case: steel, galvanised
- Bolt: deadbolt, steel, galvanised
- Bolt hub: 12 mm
- Combined lock cover screwed: steel, chromated
- Levers: 9
- Fixing points: standard
- Master / user key: stamped installation number

### Application range

- Master-key installations with up to 1,500 compartments
- Safe deposit systems with small doors  
Examples for handguns



Lock H1819 -11-0-0-T056-2



Small deposits



Basic lock H1819	User key			
Article number	Material	Length (mm)	Number	Stamping
H1819-11-0-0-T056-2*	Red brass	56	2	-
H1819-12-0-0-T056-2*	Red brass	56	2	Deposit number
H1819-21-0-0-T056-2	Red brass	56	2	-
H1819-22-0-0-T056-2	Red brass	56	2	Deposit number

\* Only as replacement for installations with the number < 2000 (indication of installation number required)

### Master key

Article number	Material	Length (mm)	Number
SH-M072-10**	Brass	72	2

\*\* not suited for replacement locks